



**SPECIALIZED IN DESIGNING AND COMMISSIONING OF
TECHNICAL FURNISHING SOLUTIONS**



TABLE OF CONTENTS

03 - About Us	04 - BONlab - Furniture models
05 - Worktops	06 - Storage Systems
07 - Laboratory Fittings	07 - Safety Stations
08 - Other Accessories	10 - Special Furniture
11 - Fume Cupboards	13 - Fume Extraction Systems
14 - Stainless Steel Furniture	15 - Prefabricated Buildings
16 - Our Partners	17 - Contact Us

ABOUT US



SINCE 2013

WE ARE SPECIALIZED IN DESIGNING AND COMMISSIONING OF TECHNICAL FURNISHING SOLUTIONS such as Educational institutional laboratories, Food industrial laboratories, Testing laboratories, Research laboratories, Treatment plant laboratories, Petroleum laboratories, Oil laboratories, Health care and hospital laboratories,

Paint laboratories, Cement laboratories ,Textiles and garments laboratories, Agricultural laboratories, Fisheries laboratories ,Veterinary laboratories, Computer labs, Archaeological laboratories, Micro biological laboratories, Film industries, Forensic laboratories, Container and mobile laboratories etc...



To be a perfect service provider with superior quality products and services, that consistently meet customer's expectation.



Apply innovative design and best practice to provide optimum solution for our client's needs

We provide state of the art, cost effective specialized furnishing solutions for clients throughout UAE, MIDDLEEAST and AFRICAN countries.

We offer a full design, bespoke manufacture and installation service. Using our own experienced professionals, allows us to guarantee and provide a consistent high quality installation and laboratory construction service. Our unique turnkey service delivers a cost effective laboratory solution for our clients.

We are equipped with advanced CAD capabilities offering the ability to see a virtual representation of your final product, be it Laboratory, interior works, Class rooms, General fabrications, Pre-fabricated container buildings, etc...

BONlab – Lab Furniture



STREAM- 1

The STREAM-1 series furniture range is a fixed system. Solid worktops are fixed on pedestal units. This system does not required any framework and suits permanent benching particularly with services.



STREAM- 2

The STREAM- 2 series is designed with hygiene in mind, Worktops are supported on Metal H' Frame (made of 30 / 40 mm square tubes) which provides easy cleaning for floors. An ideal solution for hospitals or infection-control labs.



STREAM- 3

The STREAM-3 series are similar to STREAM-2 while the metal frames are C' type Cantilevered and suspended under bench cabinets are hanging on the frame.



STREAM- 4

The STREAM-4 under bench furniture series is a robust furniture system on braked castors that can easily be moved around your laboratory. This series will be a combination of STREAM 1, 2 and 3.



STREAM- 5

The STREAM-5 Series furniture range is an advanced form of cantilever frame systems in which the frame is firmly fixed to the floor or wall and the bottom part of bench is completely free for leg room which comforts to accommodate more users

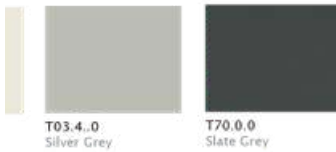
LABORATORY WORKTOPS



EPOXY

Epoxy Resin is the modern laboratory benchtop material that offers a perfect combination of features and benefits. It is durable, extremely chemical and stain resistant, mechanically strong, easily cleaned and decontaminated and exhibits good fire resistance and fire propagation properties. Custom made worktops available from 19mm to 25mm thick epoxy sheets

TRESPA®



TRESPA -toplab

Trespa is a flat one piece panel based on thermosetting resins, homogeneously reinforced with cellulose fibres and manufactured under high pressure and temperature. It is ideal for laboratory environments



ACRYLIC - solidsurface

Solid surface is an ideal material for commercial and residential application such as kitchen, reception, etc. The fabrication advantages are flexible, can be cut, shaped, moulded, and formed in to 3D shapes. Solid surface worktops are made of 12mm thick solid surface sheets backed with 18 to 36mm plywood with integrated backsplash and downturn



STAINLESS STEEL

Stainless steel is extremely durable, stain resistant, will not chip or fade, easy to clean, and 100% recyclable. We usually use 304 or 316 grade Stainless steel for specific applications. Integral fixing of SS sinks and backsplash is standard with our tops.



POLY POLYPROPYLENE

Polypropylene worktop has good level of chemical resistance recommended for moisture and wet areas. Custom made worktops available from 3mm thick to 15mm thick Polypropylene sheets backed with 18mm to 36mm plywood worktops and hot melt glued PVC edging.



GRANITE

Granite worktop made of granite of minimum 19mm thickness .The exposed edges shall be round molded. All worktops shall be with 100mm backsplash on walls of same thickness.



LAMINATED PLYWOOD

Laminated Plywood is mainly using for office and dry work areas, computer lab. Plywood worktop made of 24 mm BWP (Boiled Water Proof) plywood laminated with 0.9 mm thick High Pressure Laminate on both sides. The lamination is done with hot press with minimum of 90 tones pressure. All worktops shall have 3mm thick hot melt glued PVC edging and 100mm glued back splash for wall benches.

STORAGE SYSTEMS



TALL STORAGE CABINETS

Tall units are typically standalone pedestal type units. These are placed against wall, separate from benching. Tall storage cabinets provide a large storage volume



WALL MOUNTED CABINETS

Wall mounted cabinets are available with, full panel doors, solid framed glass and all glass doors



SAFETY CABINETS

Safety Cabinets to store flammable liquids, corrosives, pesticides and other hazardous materials. safety cabinets offer safe, dependable flammable liquid storage and protection. All cabinets meet OSHA and NFPA 30 requirements, and most are independently fire tested and approved by FM Approvals. Available in a variety of styles, sizes and colors.



GRATNELL TRAY TROLLYS

For over 40 years Gratnells has been one of the leading suppliers of storage trolleys and frames to hospitals. Their comprehensive range of products is ideal for all your medical storage needs from storage frames and trolleys right through to trays and trolley accessories.



LABORATORY FITTINGS AND SAFETY STATIONS



LABORATORY FITTINGS

Valves / controls are essential accessories in laboratories. We deal with wide range of Laboratory fittings such as Water faucets, Gas valves etc.

LABORATORY SAFETY FITTINGS

Many laboratories contain significant risks, and the prevention of laboratory accidents requires great care and constant vigilance.

safety equipment's are designed to wash away chemicals that have come into contact with the skin or clothing as the result of a chemical splash or spill



OTHER ACCESSORIES



Polypropylene sinks



Polypropylene bottle traps



Polypropylene drip cup sinks



Polypropylene dilution traps



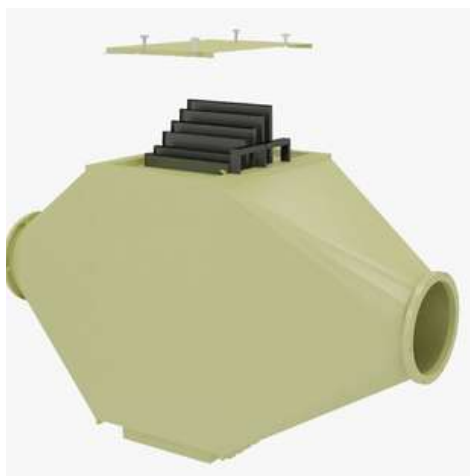
Electrical stand



Electrical pedestal box



ATEX-rated power sockets



Activated carbon filter box



P P extraction blower



Wet scrubber

OTHER ACCESSORIES



PU seated lab chair



PU seated lab stool



Wood-seated lab stool



Gratnell trays



Drip rack



Differential pressure gauge



Monitor arm

SPECIAL FURNITURE



HPLC disposal unit



Anti vibration table



Knee operated sink unit



Passthru box



SS trollys



Pullout cabinets



Heavy duty for instrumentation labs

FUME CUPBOARDS

PURPOSE of Fume cupboard in Laboratory

A fume cupboard is typically a large equipment enclosing sides of work area. The bottom of which is most commonly positioned at a standing work height. Chemical fume hoods, when used properly are one of the most reliable engineering controls in the Laboratory. They protect the users by:

Containing vapors, dusts, gases, fumes etc generated within the hood, and removing them as airflows in to the hood and then out via the laboratory exhaust systems.

Contributing to laboratory ventilation as air flows through the hood.

Shielding the user with a clear sliding window called sash, that controls aerosols and prevent injury from splashes, fires or minor explosions that may occur inside the cupboard.

- Standard specifications Dimensions in mm: 880W x 2350H and widths of 1200, 1500, 1800, and 2400mm
- Structure made of 1 mm thick cold-rolled steel with epoxy powder coating
- The baffle and internal linings are 6mm thick Phenolic resin panels.
- Worktop 19mm thick epoxy or 16mm thick Phenolic resin TRESPA
- Sash made of 6mm thick toughened glass vertically sliding and 4mm thick toughened sliding glass window horizontally as optional.
- A cold-water outlet and a GAS outlet with front fascia-mounted valves.
- A cup sink made of polypropylene.
- 1 no. 13A / 220V Electrical switched single socket mounted on front fascia
- 2 no. 20W daylight lamps with glass insulation lamp box
- An under-bench storage cabinet with two doors and polypropylene internal lining for chemical storage. This can be vented to exhaust, optionally.

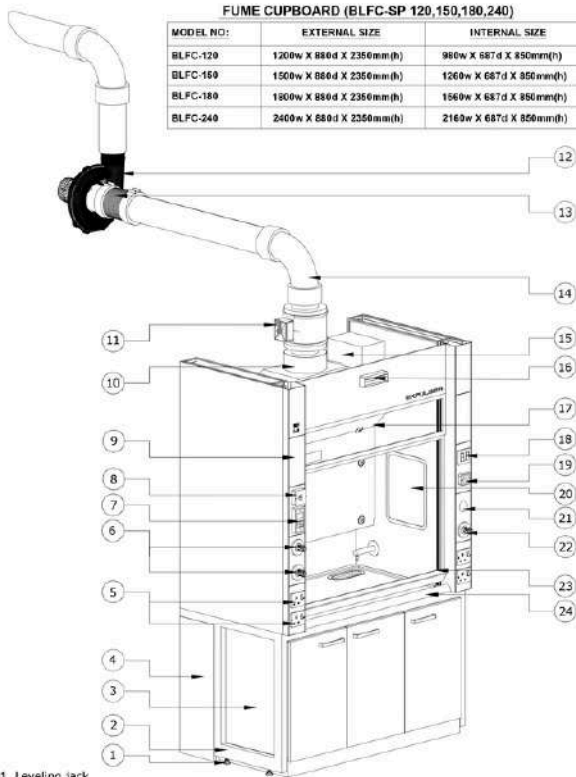


CERTIFIED FUME HOOD

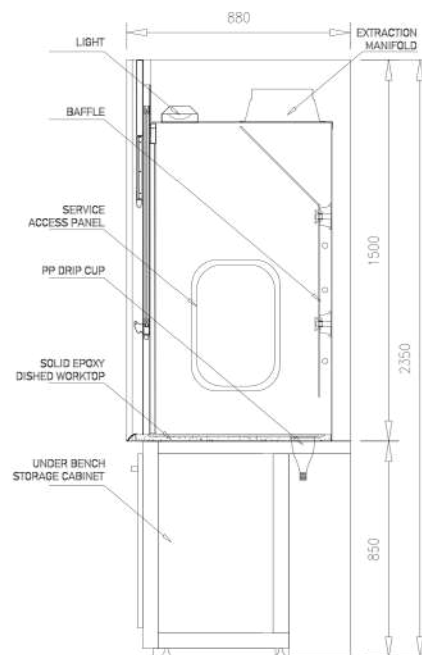
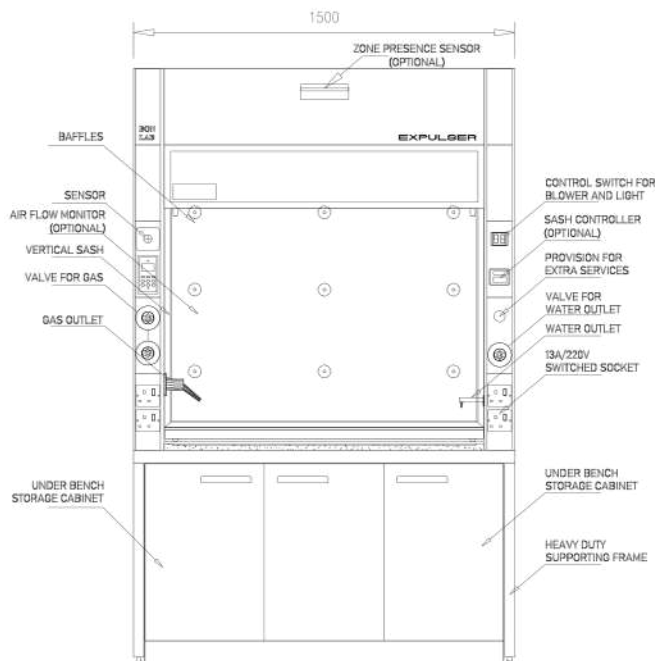


FUME CUPBOARD (BLFC-SP 120,150,180,240)

MODEL NO:	EXTERNAL SIZE	INTERNAL SIZE
BLFC-120	1200w X 880d X 2350mm(h)	980w X 687d X 850mm(h)
BLFC-150	1500w X 880d X 2350mm(h)	1260w X 687d X 850mm(h)
BLFC-180	1800w X 880d X 2350mm(h)	1560w X 687d X 850mm(h)
BLFC-240	2400w X 880d X 2350mm(h)	2160w X 687d X 850mm(h)



- 01. Leveling jack
- 02. Fume hood stand-frame work structure
- 03. U/b storage cabinet
- 04. Covering panels
- 05. 13A/220V Switched Socket
- 06. GAS Valve
- 07. Airflow monitor
- 08. Sensor
- 09. Service pillar
- 10. Canopy
- 11. Motorized Damper
- 12. Blower
- 13. Flexible connector
- 14. PVC Bend
- 15. VAV Control box
- 16. Zone presence sensor
- 17. Baffle wall
- 18. Blower/Light switches
- 19. Sash controller
- 20. Internal Access panel
- 21. Provision for extra services
- 22. Water regulator
- 23. Vertical Sash
- 24. Worktop



FUME EXTRACTION SYSTEMS

FUME EXTRACTORS / SUCTION ARMS / CANOPY HOODS

FUMEX



Lab extraction arms



Extraction arm for AAS



Extraction arm suitable for explosive environments



Stainless steel extraction arm



ATEX rated extraction arm



Mobile extraction arm with filter unit



Canopy hood



Canopy hood

STAINLESS STEEL FURNITURE

We offer the widest variety of custom made Stainless steel furniture like as Cleanroom tables, Pass thru boxes, workstations, work benches, storage cabinets etc.

The easy cleaning ability of steel furniture makes it the first choice for strict hygienic conditions. Stainless steel is basically inert to most of the acids/alkali's released by foods, vegetables, additives etc.. It does not normally get pitted, thus avoiding the worst chance for bacterial infection.



PREFABRICATED BUILDINGS



Stabil is the master and innovator of the prefabricated shipping container building industry. Having worked on turnkey projects for 15 years, our team of experienced professionals now combine their knowledge and outstanding aftersales care to offer unique, sustainable, eco-friendly housing solutions.

An affordable, "green" alternative to traditional architecture, prefabricated shipping container buildings are rapidly growing in popularity. They are a fashionable and revolutionary way to tackle the increasing demand for housing and workplace facilities. At Stabil Builders Pvt Ltd, we offer a comprehensive range of solutions to meet this demand, handling every stage of the process from the initial conceptual design to the specialist installation of custom-made furniture.



OUR PARTNERS



DISCLAIMER

The plans, images, specifications and other details given in this brochure are only indicative and the developer reserves the right to change any or all of these in the interest of the project or development. This document does not constitute an offer or any contract of any nature whatsoever. Any purchases/ legal agreement or document/s in any project shall be governed by the terms and conditions of the agreement entered into between the parties and no details mentioned in this document shall govern the transaction.



- LABORATORY FURNITURE AND ACCESSORIES
- ERLAB LABORATORY FUME FILTERING SYSTEMS
- STAINLESS STEEL FURNITURE
- CLEAN ROOM AND EDUCATION FURNITURE
- LABORATORY FITTINGS AND SAFETY SHOWERS
- LABORATORY GAS AND TUBING SYSTEMS
- FUME HOODS AND EXTRACTION SYSTEMS
- PREFABRICATED CONTAINER BUILDINGS

MORAY GENERAL TRADING LLC

P.O. Box 66902, Sharjah, United Arab Emirates

Tel: +97165771201

Mobile: +971506703704, +971506289965

Email: info@morayme.com, ask@morayme.com

